



extreme
ENGINEERING



OLLIE-LOOP





The Ollie-Loop is a one-of-a-kind experience that launches and spins guests high in the sky through unpredictable motions. "Gnarly brah!"

U.S. Patents and Patent Pending.



The Ollie-Loop is Extreme Engineering's latest attraction, spinning and launching guests high in the air on a skateboard inspired ride. The Ollie-Loop will safely secure up to 6 riders providing unpredictable motions, and sudden jumps, all while spinning in circular motions. The entire platform is on a programmable turntable, for those brave enough to experience additional thrills on the skateboard attraction. With Ollie-Loop's wide range of motion, lights and sounds the ride will provide a fully immersive skateboard experience.

The Ollie-Loop uses proven ride components, including the same ride vehicles from our award-winning family coaster, which streamlines the manufacturing and assembly costs of each ride. Each Ollie-Loop operates at speeds up to 10 RPM and allows up to 180 riders per hour, or up to 540 per hour with our triple Ollie-Loop version. The power requirement for the Ollie-Loop uses just a 30 HP motor on 200 amps.

This skateboard attraction is exciting for all ages, allowing riders as short as 40 inches tall or as heavy as 250 pounds per rider. Additional theming options are available, such as surfing, space shuttles or even jungle animals. The ride and theming experiences are limitless. Each Ollie-Loop is built to ASTM ride standards, but can also be designed to meet EN for European based locations. Proudly designed in Texas and built in the USA.

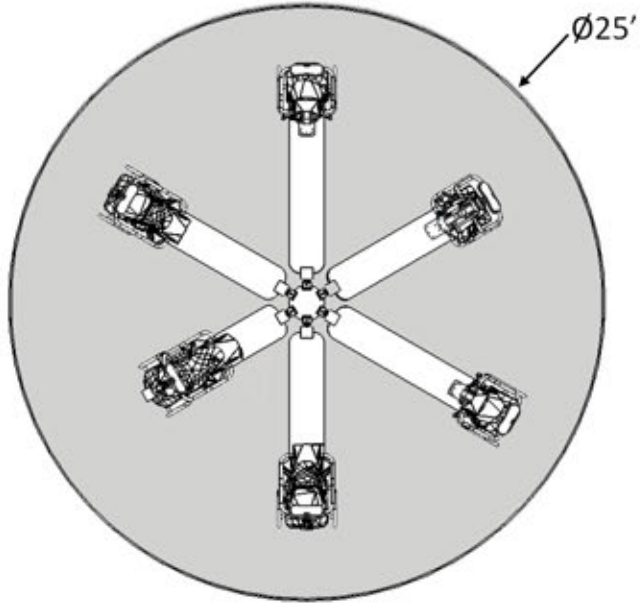


Ollie-Loop

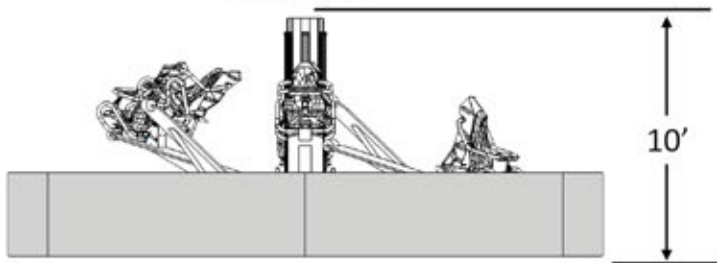
- Interactive Flat Ride
- Launches and spins riders up to 10 feet in the air.
- Up to 6 passengers / 6 seater.
- 40 inches minimum rider height / 250 lbs maximum per rider.
- 30 HP - 200 amps - Electric Motor to reduce operational noise.
- Programmable motion.
- LED lighting.
- Operational Space: 25 feet wide x 25 feet long x 18 feet tall.
- 180 riders per hour (540 per hour with triple option).
- 1 Year Warranty.



TOP VIEW



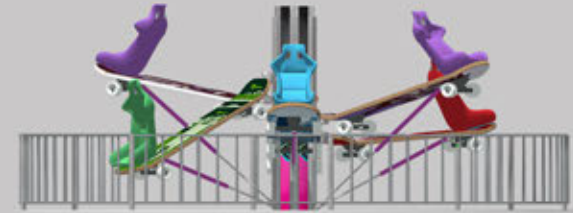
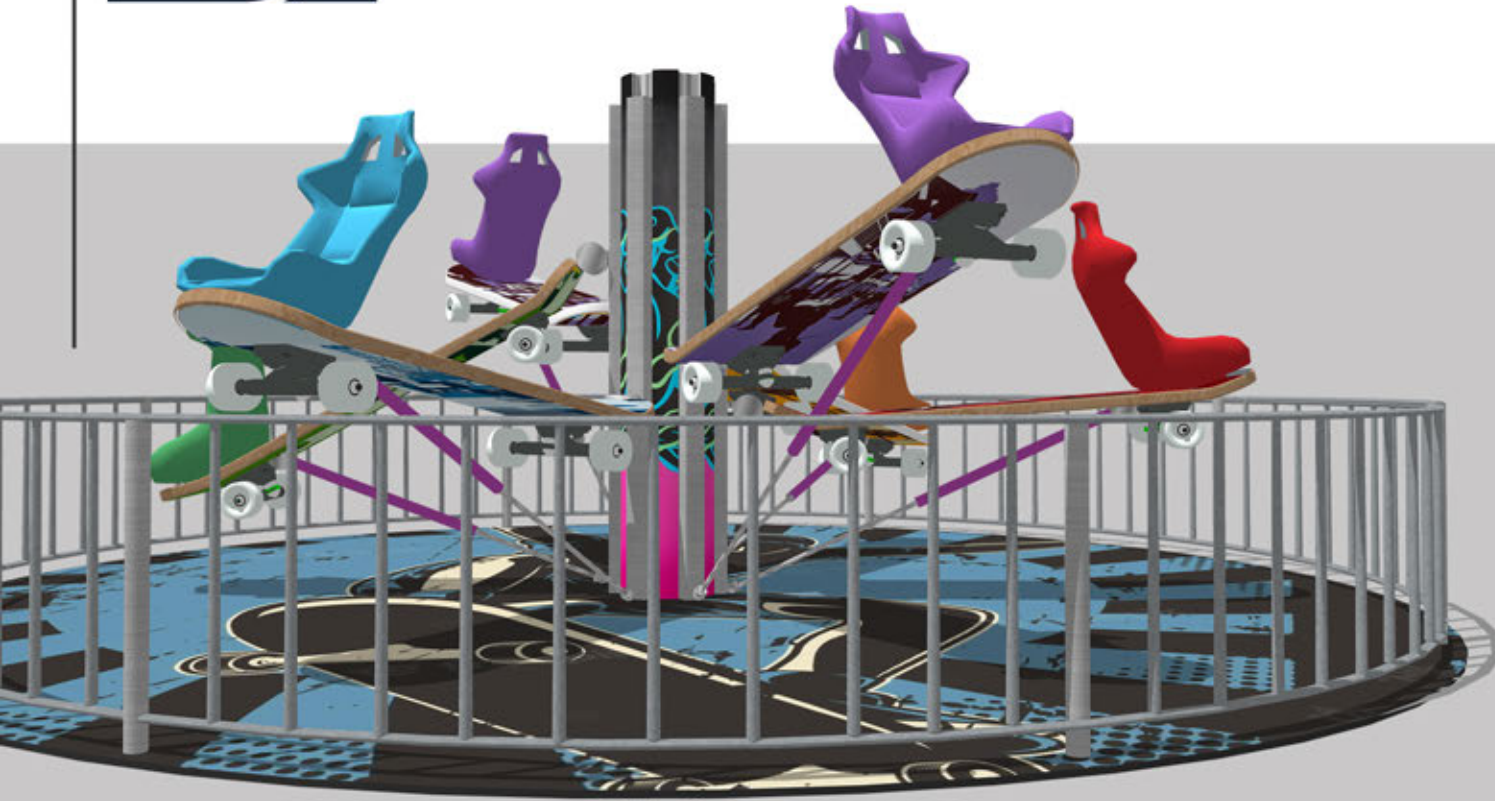
SIDE VIEW



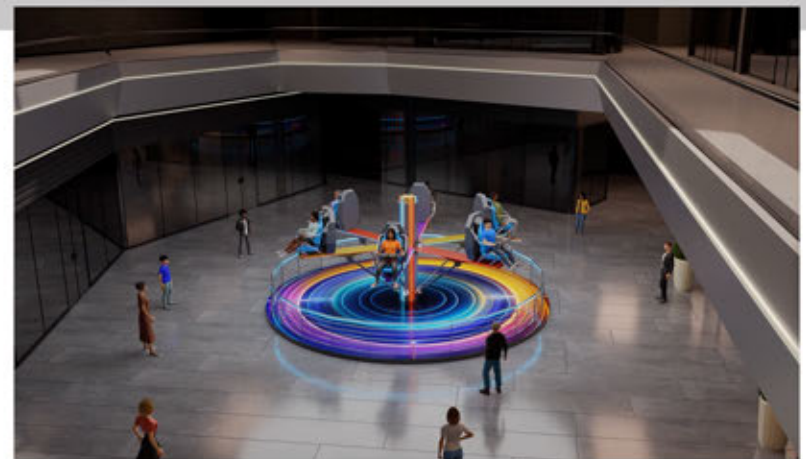
Ollie-Loop

- 10' max attraction height.
- 25' max attraction width.
- 25' max attraction length.

* Increased capacity can be achieved with a triple Ollie-Loop model (three Ollie-Loops).



Side renders of Ollie-loop.



U.S. Patents and Patents Pending, Proudly Built in the U.S.A.



extreme
ENGINEERING

GET IN TOUCH

Address: 1391 Flat Creek Road, Athens, Texas 75751, USA;

Ph: +1-916-663-1560

Email: info@extremeengineering.com

Visit: www.extremeengineering.com

U.S. Patents 6,083,142, 6,390,952, 6,659,496, 7,182,695 and International Patents Pending. Extreme Engineering, Extreme Engineering's Logo, Speed Harness Fun is our Business, Fly Wire Zipline, High-Action Adventure, Adventure Products, Extreme Air, Rapid Gravity Ride, Cloud Coaster, Flex Pole Technology, Auto-Zip, and Decelinator are U.S. registered trademarks of Extreme Engineering. We take our intellectual property seriously and protect all of our patents, trademarks and copyrights. Our company believes in the protection of ideas so that creative minds can always invent. Help us by honoring originality in this industry. Always buy from the source so that patents can be treated with respect. This material is copyrighted and may not be duplicated without written permission from Extreme Engineering

Catalog design by: Phil Wilson